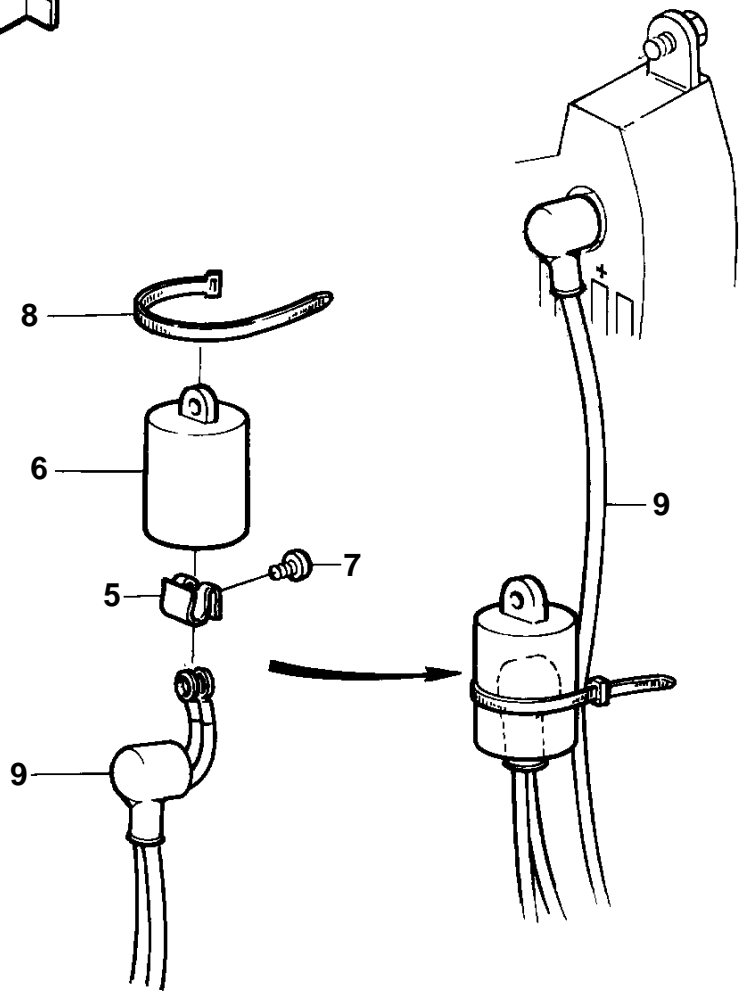
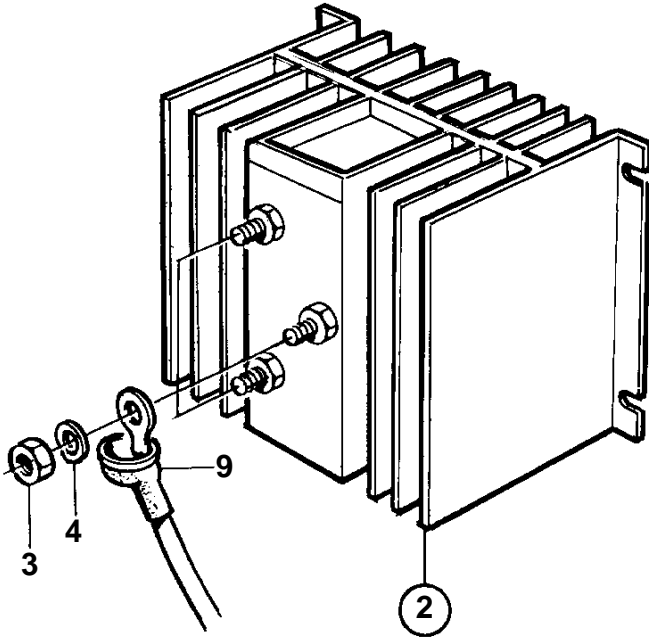


①



D2-40

REF	PART NO.	QTY	DESCRIPTION	SEE SEC.	NOTES
1	3840597	1	Charge distributor Bulletin P-32-2-1	P-32-2-1-EN	For alternators 12-28V up to 160A. Charge Distribution Kit
2		1	• Charge distributor		
3	955846	3	Nut		
4	941906	3	Spring washer		
5	859492	1	Spring nut		
6	859493	1	Protecting casing		
7	955126	1	Screw		
8	948211	1	Strip clamp		
9		X	Electrical materials	1963	