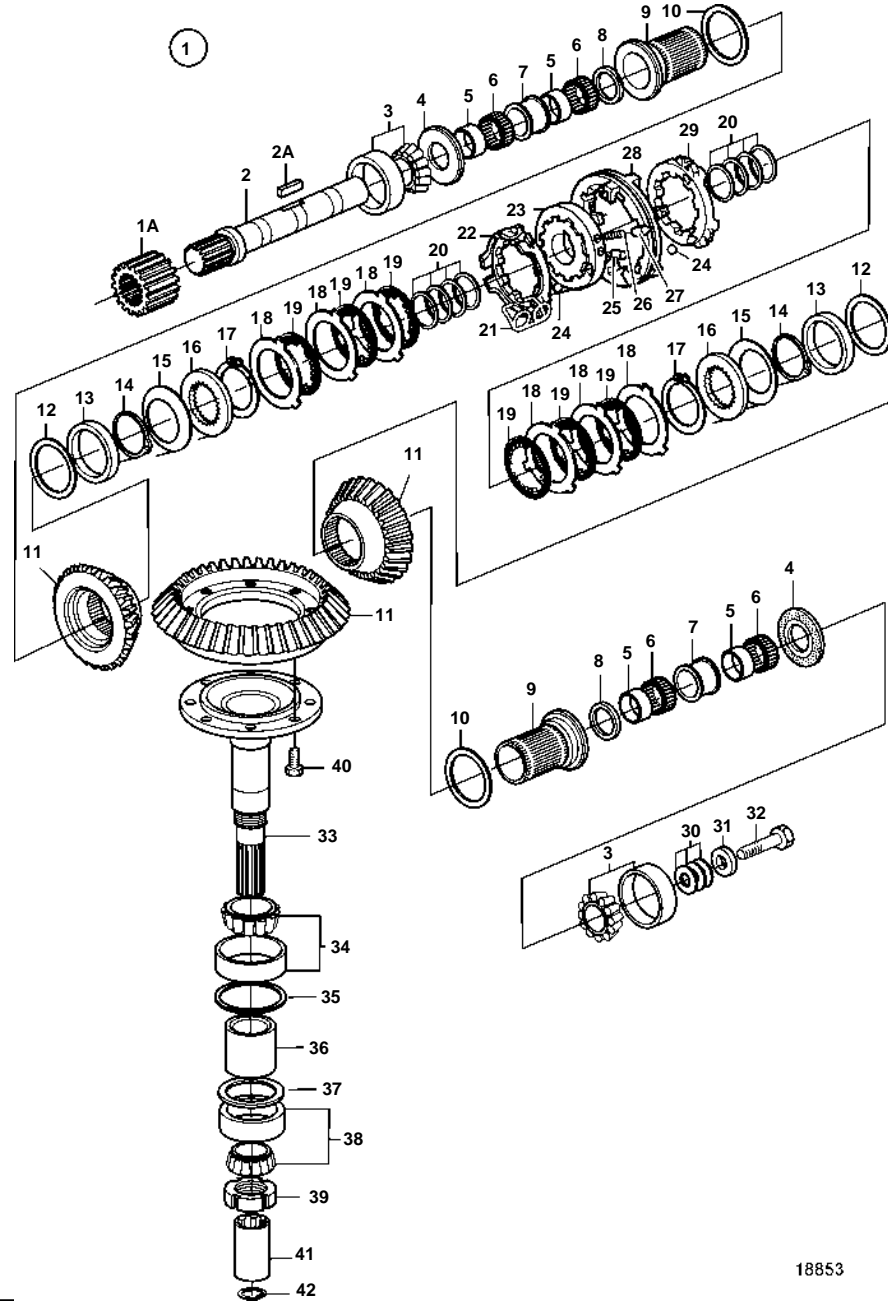


MS25S-A, MS25SR-A



18853

MS25S-A, MS25SR-A

REF	PART NO.	QTY	DESCRIPTION	NOTES
1	3583351	1	Upper gear unit	
1A	3583492	1	• Bushing	
2	3583325	1	• Shaft	
2A	3582591	1	• Key	
3	3583326	2	• Bearing	
4	3582571	2	• Washer	
5	3582904	4	• Bearing race	
6	3582905	4	• Bearing	
7	3582906	2	• Spacer	
8		2	• Ring	
9	3582907	2	• Bushing	
10	3582908	2	• Shim	TH = 0,10mm
	3582911	2	• Shim	TH=0,20mm
	3582910	2	• Shim	TH = 0,30mm
	3582912	2	• Shim	TH = 0,50mm
11	3583328	1	• Gear set	
12	3582566	X	• Shim	TH = 0,10mm
	3582567	X	• Shim	TH = 0,15mm
	3582903	X	• Shim	TH=0,20mm
	3582568	X	• Shim	TH = 0,30mm
	3582569	X	• Shim	TH = 0,50mm
13	3582914	2	• Spacer	
14	3582913	2	• Lock ring	
15		2	• Spring washer	
16		2	• Support ring	Included in kit 877370.
17	3582917	2	• Lock ring	Included in kit 877370.
18	3582579	6	• Disc	Included in kit 877370.
19	3582578	6	• Disc	Included in kit 877370.
20	3582872	X	• Shim	TH = 0,15mm
	3583430	X	• Shim	TH=0,20mm
	3583429	X	• Shim	TH = 0,30mm
	3582580	X	• Shim	TH=0,40mm
	3582581	X	• Shim	TH = 0,50mm
	3582582	X	• Shim	TH = 0,60mm
	3582583	X	• Shim	TH = 0,70mm
21	3582024	3	• Spring	
22		1	• Retainer	
23	3582898	1	• Hub	
24	3582585	6	• Ball	
25	3582590	3	• Pin	
26	3582588	3	• Spring	
27	3582589	3	• Pin	
28		1	• Sleeve	
29		1	• Retainer	
30	3583346	X	• Shim	TH = 0,10mm
	3582900	X	• Shim	TH=0,20mm

MS25S-A, MS25SR-A

REF	PART NO.	QTY	DESCRIPTION		NOTES
30	3582901	X	· Shim		TH = 0,50mm
	3582902	X	· Shim		TH = 1,00mm
31	3582899	1	· Washer		
32	970948	1	· Screw		
33	3582879	1	· Gear	SO	
34	3582924	1	· Roller bearing		
35	3582873	X	· Shim		TH = 0,10mm
	3582874	X	· Shim		TH = 0,15mm
	3582875	X	· Shim		TH=0,20mm
36		1	· Spacer		
37	3582872	X	· Shim		TH = 0.15mm
	3583430	X	· Shim		TH=0,20mm
	3583429	X	· Shim		TH = 0,30mm
	3582580	X	· Shim		TH=0,40mm
	3582581	X	· Shim		TH = 0,50mm
	3582582	X	· Shim		TH = 0,60mm
	3582583	X	· Shim		TH = 0,70mm
38	3583326	1	· Bearing		
39	3582925	1	· Nut		
40	955271	8	· Screw		
41	3582894	1	Splined sleeve		
42	3583350	1	Lock ring		