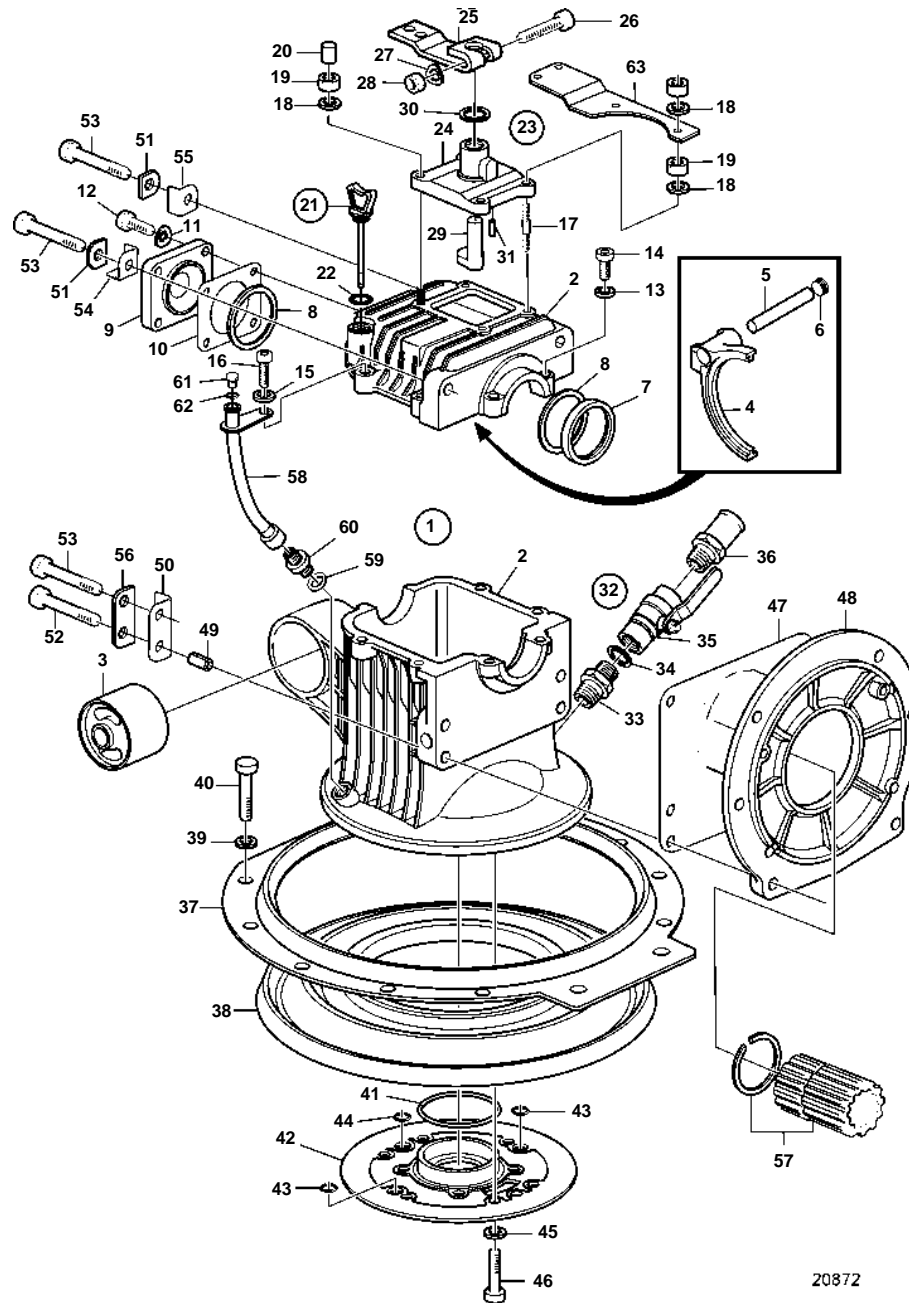


130S-A, 130SR-A



20872

Upd: 21 NOV 2005

20872

7739840 - 44 - 7620

130S-A, 130SR-A

REF	PART NO.	QTY	DESCRIPTION	NOTES
1	3589555	1	Upper gear unit Comps. not spec.	RATIO 2.19:1
2		1	• Gear housing	
3	3586700	1	• Rubber bushing	
4	3582551	1	• Fork	
5	3582463	1	• Shaft	
6	3581973	1	• Plug	
7	3583322	1	• Sealing ring	
8	3582566	X	• Shim	TH = 0,10mm
	3582567	X	• Shim	TH = 0.15mm
	3582568	X	• Shim	TH=0,20mm
	3582569	X	• Shim	TH = 0,30mm
	3586724	X	• Shim	TH = 0,50mm
	3586728	X	• Shim	TH = 1,00mm
9	3582922	1	• Cover	
10	3582557	1	• Gasket	
11	941907	4	• Spring washer	
12	955294	4	• Screw	
13	941907	6	• Spring washer	
14	941761	6	• Screw	
15	941907	2	• Spring washer	
16	959229	2	• Allen head screw	
17	3586720	4	• Stud	
18	941907	6	• Spring washer	
19	955782	6	• Nut	
20		2	• Cap	
21	3807633	1	• Oil dipstick	
22	3582203	1	• • O-ring	
23	3808774	1	• Shift mechanism	
24	3582550	1	• • Cover	
25	3586320	1	• • Engagement lever	
26	941761	1	• • Screw	
27	941907	2	• • Spring washer	
28	955782	1	• • Nut	
29	3581969	1	• • Cam	
30	3581966	1	• • Sealing ring	
31	3581968	1	• • Pin	
32		1	• Tap	
33	3583431	1	• • Nipple	
34	947626	1	• • Gasket	
35	1140097	1	• • Ball valve	
36	3583432	1	• • Nipple	
37	3586701	1	• Tensioning ring	

130S-A, 130SR-A

REF	PART NO.	QTY	DESCRIPTION	NOTES
38	3582890	1	• Sealing ring	SEE GROUP 99. Included in kit 877362.
39	941670	10	• Washer	
40	946541	10	• Screw	
41	925256	1	• O-ring	
42	3584064	1	• Intermediate plate	
43	925054	2	• O-ring	
44	955974	1	• O-ring	
45	941670	3	• Washer	
46	946541	3	• Screw	
47	3583356	1	Insulating sheet	
48	3583355	1	Flange	
49	3583361	1	Insulating bushing	
50	3583359	2	Insulating washer	
51	3583357	2	Insulating washer	
52	970954	2	Screw	L=60mm
53	965185	4	Flange screw	L=40mm
54	3583358	1	Insulating washer	
55	3583357	1	Insulating washer	
56	3583539	2	Plate	
57	3583492	1	Bushing	
58	3586321	1	Oil draining pipe	
59	3807630	1	Seal	
60	3807629	1	Nipple	
61	3807631	1	Plug	
62	3812956	2	• O-ring	
63	3586718	1	Bracket	